

Oil / fuel pressure and temperature sensor



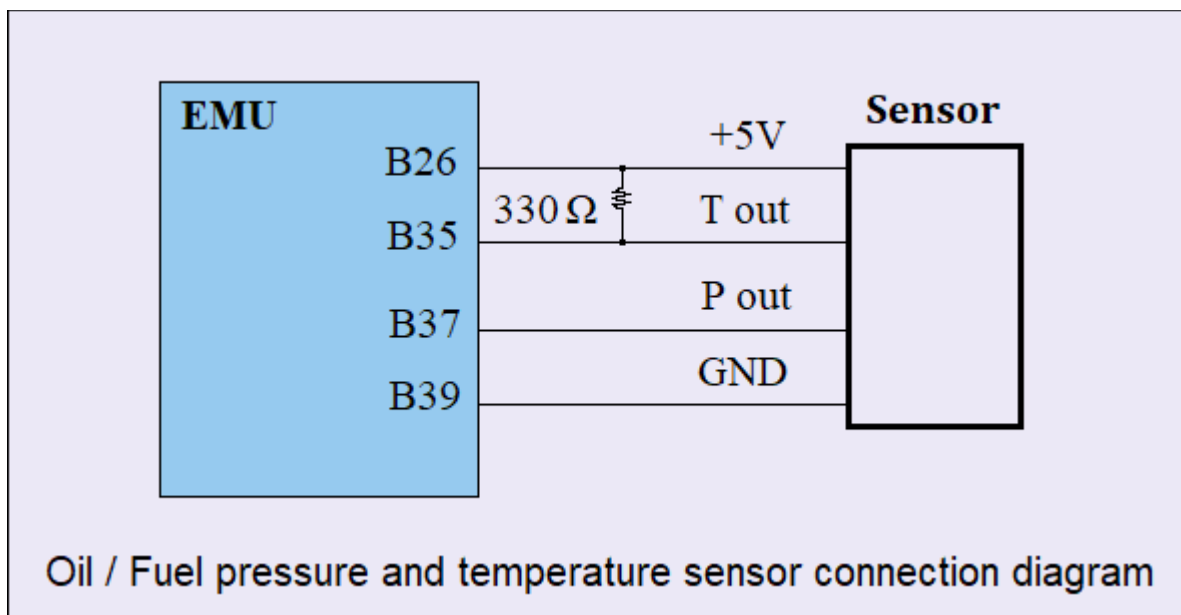
Integrated sensor designed to measure pressure and temperature. It can be used to measure oil pressure and temperature as well as fuel pressure and temperature.

The manufacturer recommends tightening the sensor with a torque of 37 NM during assembly.

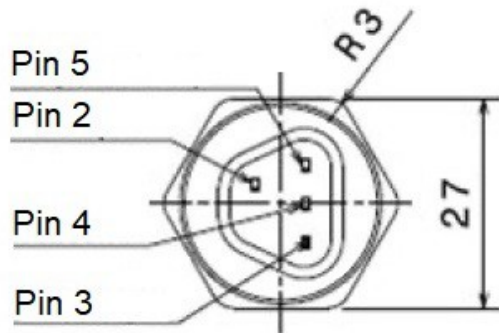
Attention !



After installing the pressure and temperature sensor, check your systems for leakages.



Sensor pin-out

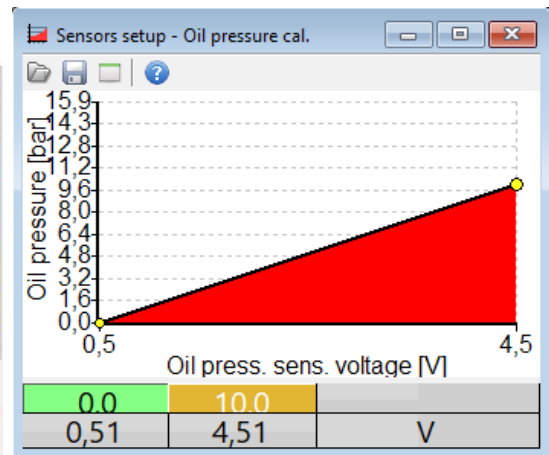
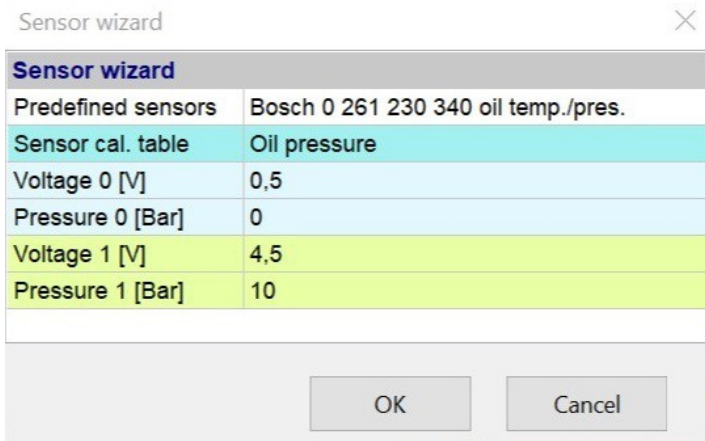


Pinout	
2	Pressure signal
3	+5V
4	Sensor Ground
5	Temperature signal

Pressure measurement

For proper operation, the sensor requires:

- reference power +5V
- sensor ground
- connecting the signal from pin 2 to one of the free analog outputs in the EMU
- determining the characteristics of the pressure sensor. The pressure sensor has a linear characteristic.



Temperature measurement

The sensor allows you to measure the temperature of oil or fuel. The signal from pin 5 of the sensor should be connected to any analog input in the EMU in parallel with the + 5V pullup 330ohm resistor. This input should be assigned to the used sensor and its characteristics should be defined. This characteristic is determined by a 330 ohm pull-up resistor and is available in the wizard. Using a pullup resistor with a different value will significantly change the sensor's characteristics.

Example calibration for temperature sensor

