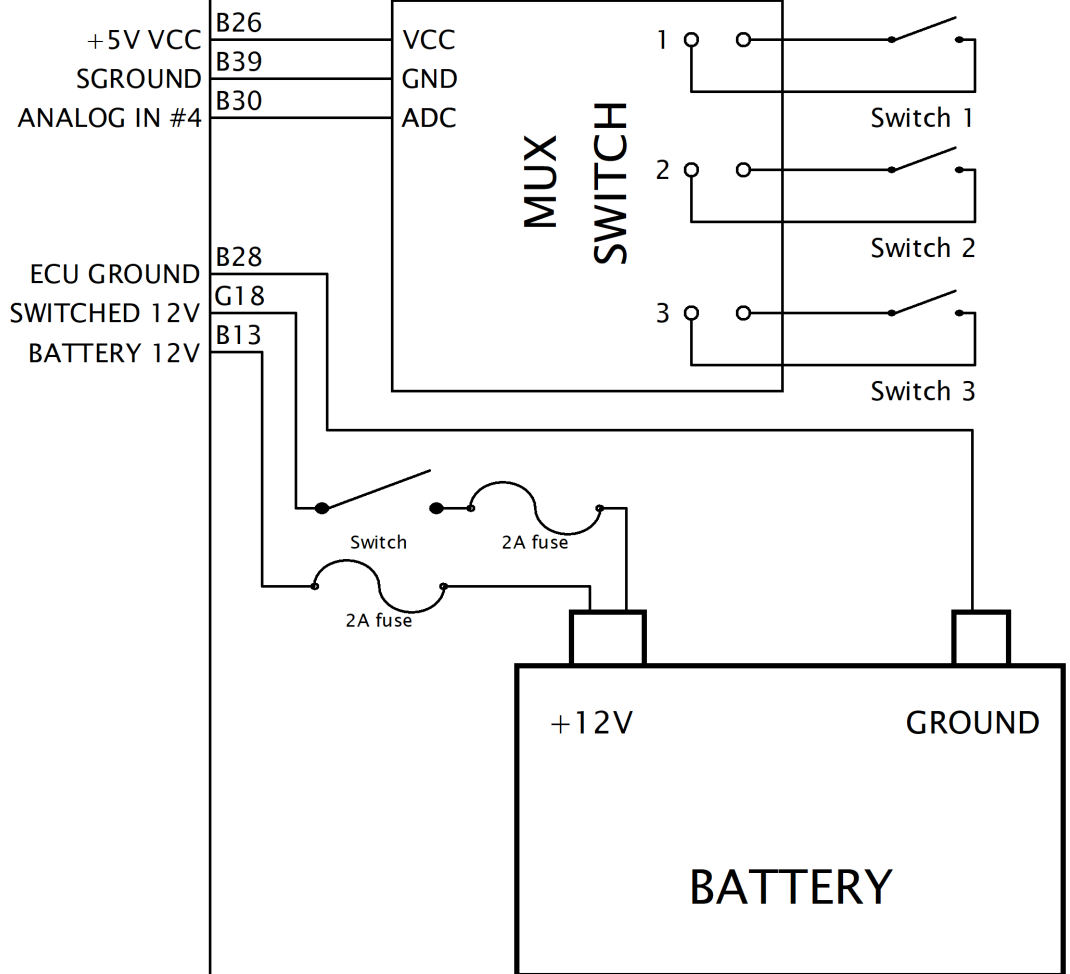


# ECU Black



Wiring size for MUX  
switch board 22 AWG

**ECUMASTER**

DATE  
28/05/2018  
CREATED  
A. Kisielewski

REV.  
1  
TYPE  
WIRING

mux switch  
wiring diagram